



## BERG DUO COASTER

Productsheet XL



BERG DUO COASTER BFR, DUO COASTER E-BFR

Sporty gokart with  
**dual drive** offers fun  
for two

years

**6+**

125 to 210 cm

[BERGTOYS.COM](http://BERGTOYS.COM)



## BERG DUO COASTER BFR

*Lightweight driving pleasure for two*

The BERG Duo Coaster is the new 2-person skelter specially developed for the rental market. The skelter offers a fantastic driving experience due to its light weight and dual drive. The BRF drive system means that the user can brake as well as reverse by simply pedalling backwards. This makes the ride not only extra safe, but above all, extra enjoyable as well!

Next to the standard BRF dual drive, the BERG Duo Coaster is also available with the E-BFR dual drive. With the powerful 250 Watt mid-mounted engine, the DuoCoaster has an even faster starting acceleration and driving is more fun!

The Duo Coaster is built with the XXL frame, making it suitable for extra tall people as well. De Duo Coaster is also fitted with a swing axis, giving an optimum road holding and ensuring that all 4 wheels always stay on the ground. The handlebars can be mounted on either the left or right-hand side when assembling. So the skelter can be driven in any country.

- Driving pleasure for two, suitable for users from 6 years.
- Sturdy pneumatic tyres with a deep tread
- BFR system. Easy, fast and safe!
- Improved road-holding performance thanks to swing axel
- Effortless driving pleasure due to pedal support
- Seat adjustable to 6 different positions.

### 1. DRIVING PLEASURE FOR TWO

The Duo Coaster's drive system enables both driver and passenger to pedal, brake and reverse. The XXL frame makes it suitable for children of 6 years to adults up to 2.10 meter tall! For extra safety, the Duo Coaster is also fitted with a handbrake and parking brake.



*Sporty gokart with  
dual drive offers fun  
for two*

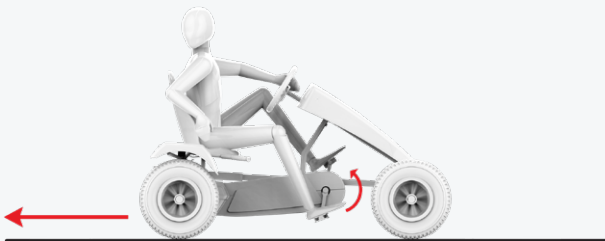
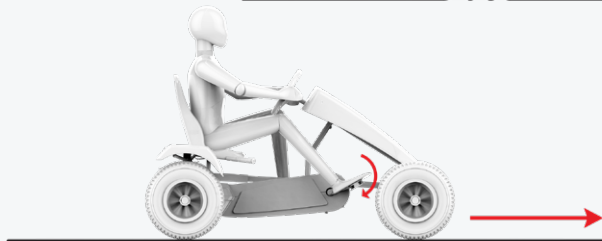
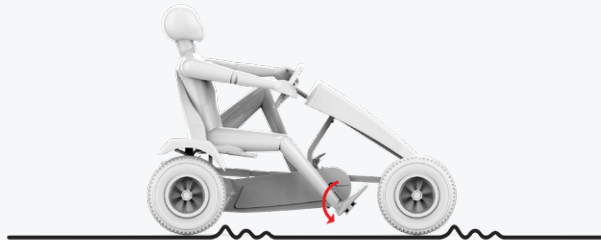




## 2. BFR/ E-BFR-SYSTEM

*Lightweight driving pleasure for two*

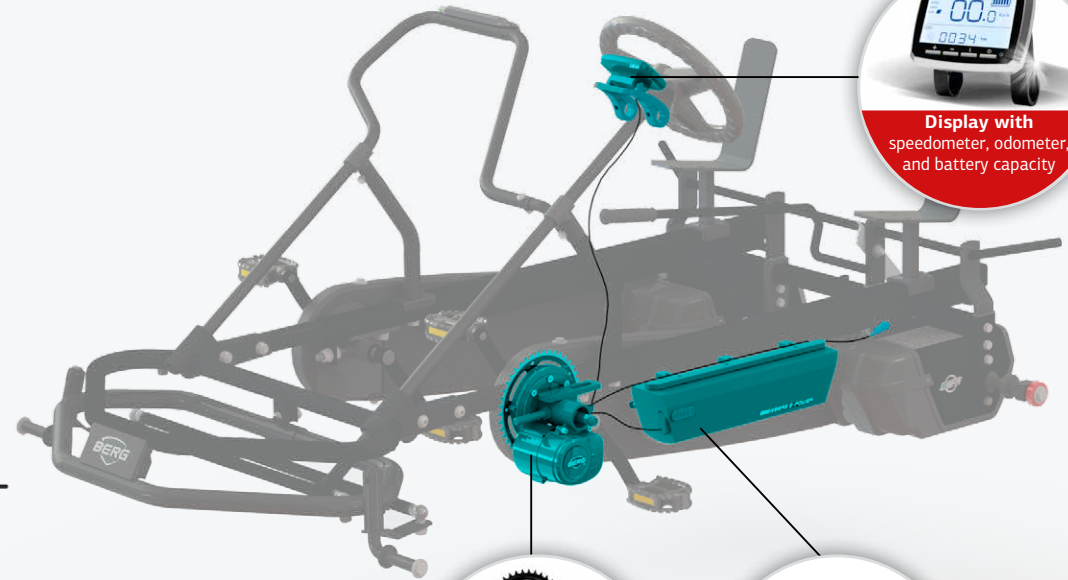
The BERG Duo Coaster is equipped with the unique patented BFR system. The abbreviation BFR stands for Break, Freewheel and Reverse. The BFR system means you can use the pedals to brake and immediately reverse after stopping. This makes the Duo Coaster driving experience really simple and even more enjoyable. What's more, the BFR system perfectly combines safety and maximum riding pleasure.



De BERG Duo Coaster E-BFR has a 250 Watt mid-mounted engine on the driver's side. The harder you pedal, the more support is provided by the powerful mid-mounted engine. This makes for sensational driving on the Duo Coaster E-BFR! There are 4 different support levels. Eco, Tour, Sport and Turbo. These are easy to configure using the central display screen. Depending on the degree of support, this skelter can be driven from 2 to 4 hours before recharging.



Display with speedometer, odometer, and battery capacity



250W mid-mounted engine with torque sensor



24V/240Wh removable battery

*Sporty gokart with dual drive offers fun for two*

years

**6+**

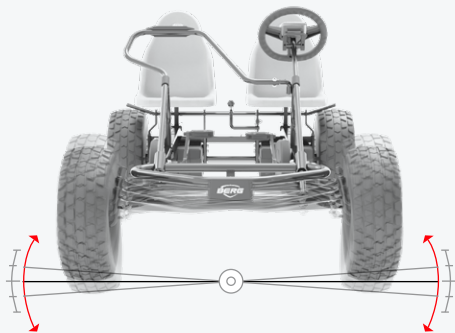
125 to 190 cm



### 3. PERFECT ROAD HOLDING

*Lightweight driving pleasure for two*

The BERG Duo Coaster is built on the robust XXL frame. This frame is extra reinforced and has an integrated swing axis. The result is a maximum road holding capability and the four wheels always stay in contact with the ground.



The integrated swing axis ensures stable road holding



### 4. ROBUST ALL-TERRAIN PNEUMATIC TYRES

The BERG Duo Coaster is fitted with 18 inch all-terrain tyres for extra grip and driving comfort. This makes the Duo Coaster suitable for paved and unpaved terrains.



**Note:** the Duo Coaster is not suitable for driving on loose surfaces such as sand and mud.

*Sporty gokart with dual drive offers fun for two*

years

**6+**

125 to 210 cm



07.17.00.00

## BERG DUO COASTER BFR

The BERG Duo Coaster is the new 2-person skelter specially developed for the rental market. The skelter offers a fantastic driving experience due to its light weight and dual drive. The BRF drive system means that the user can brake as well as reverse by simply pedalling backwards. This makes the ride not only extra safe, but above all, extra enjoyable as well!



Weight: 83.1 kg

	Box size:	Weight+box
Front Frame	107 x 66 x 35 cm	31.8 kg
Rear Frame(BFR)	107 x 37 x 35 cm	18.6 kg
Thema	100 x 58 x 41.5 cm	28.5 kg





## FEATURES DUO COASTER BFR

Easily adjustable seats can accommodate tall people up to about 2 metres.

Super safe due to the double back-pedal brake, handbrake and parking brake.

Driving pleasure for 2 thanks to the dual drive

The BFR system means you can use the pedals to brake and immediately reverse after stopping.



Option for left or right-hand steering when assembling the skelter

Very robust frame which makes it ideal for professional use

Suitable for children from 6 years

Optimum road handling due to swing axle and pneumatic tyres





07.47.00.00

## BERG DUO COASTER E-BFR

The BERG Duo Coaster is the new 2-person skelter specially developed for the rental market. The skelter offers a fantastic driving experience due to its light weight and dual drive, but above all, the electric support! Thanks to the E-BFR drive system, the Duo Coaster makes a quick start. The harder you pedal, the more support is provided by the engine. With back pedalling, the Duo Coaster brakes, then drives backwards. This makes riding on the Duo Coaster not only extra safe, but above all, also extra enjoyable!



Weight:	90.6 kg	
Box size::		Weight+box:
Front Frame	107 x 66 x 35 cm	31.8 kg
Rear Frame(BFR)	107 x 37 x 35 cm	18.6 kg
Rear Frame(E-BFR)	107 x 37 x 35 cm	26.1 kg
Thema	100 x 58 x 41.5 cm	28.5 kg





## FEATURES DUO COASTER E-BFR

Option for left or right-hand steering when assembling the gokart

Easily adjustable seats Can accommodate tall people up to about 2 metres.

Fitted with a 250 watt mid-mounted engine with torque sensor

Driving pleasure for 2 thanks to the dual drive system and electric support for the driver.

Fitted with a 24 Volt removable battery

The BFR system means you can use the pedals to brake and immediately reverse after stopping.



Display screen with speedometer, odometer and battery capacity

Very robust frame which makes it ideal for professional use

Super safe due to the double back-pedal brake, handbrake and parking brake.

Suitable for children from 6 years

Optimum road handling due to swing axle and pneumatic tyres



[BERGTOYS.COM](http://BERGTOYS.COM)

*Sporty gokart with  
dual drive offers fun  
for two*

years

**6+**

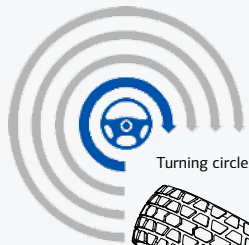
125 to 210 cm



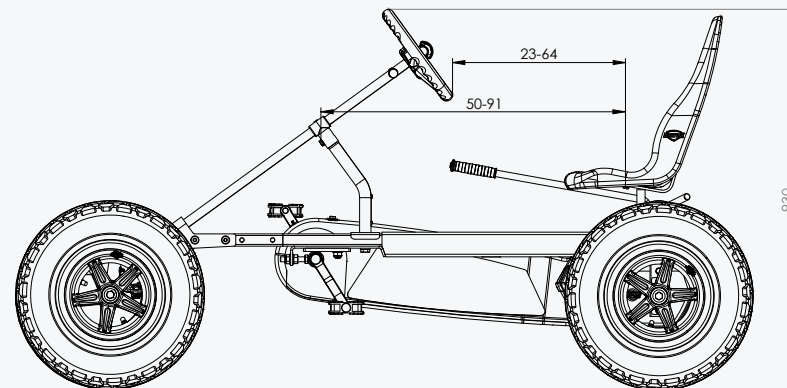
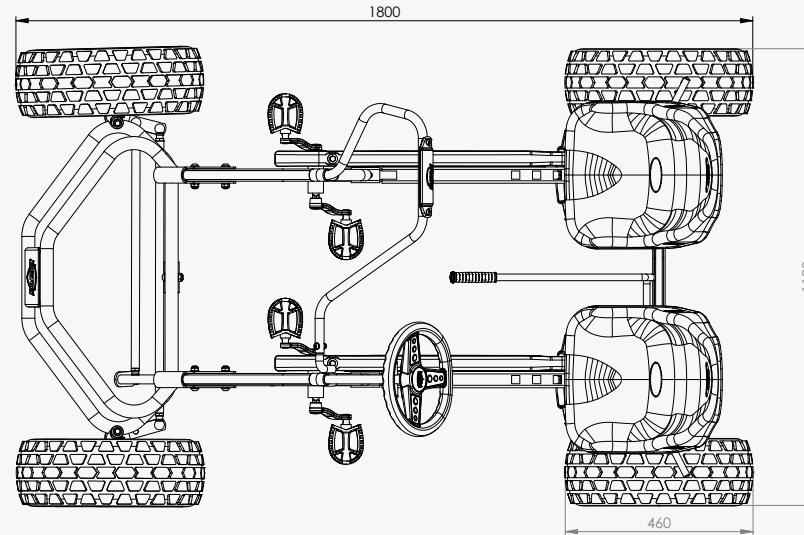
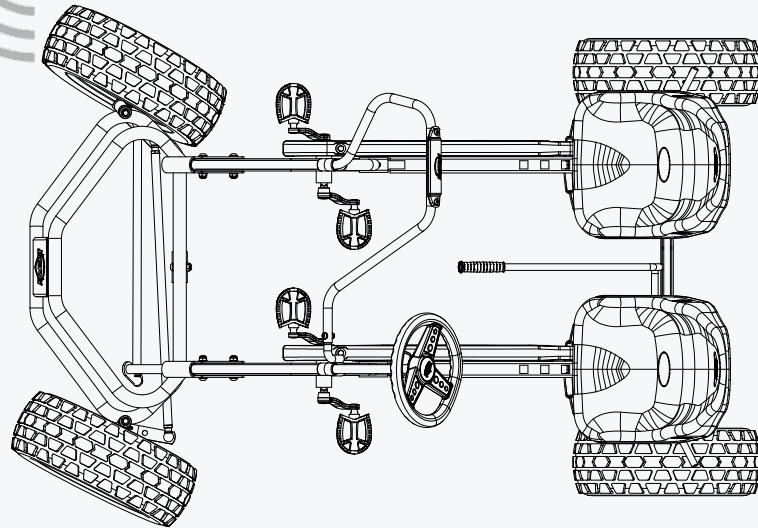


# BERG DUO COASTER DATA

*Inspiring Active Play*



Turning circle: 495 cm



All sizes in cm





## BERG DUO COASTER DATA

*Inspiring Active Play*

### General

Recommended age	6+ years
Max user height	210 cm
Max user weight	100 kg (2x)
Parental supervision necessary	Yes
Safety mark	CE
Assembly time	±60 min

### Physical characteristics

Length	180 cm
Width	112 cm
Height	93 cm

### Warranty

Frame	2 years
Parts	2 years
Tyres	0 years

### Technical characteristics

Tyre type	Pneumatic
Frame material	Steel
Forward and backward	Yes
Braking system	Handbrake and coaster brake
Parking brake	Yes
Transmission	Heavy Duty BFR
Ball bearings	Yes
Swing axle	Yes
Adjustable seat	Yes
Adjustable steering wheel	No
Trailer connection	No

### Details packaging (4 packages)

Front frame package	107 x 66 x 35cm
Weight	31.8 kg
Synthetic material in packaging	1.0 kg
Cardboard in packaging	4.7 kg
Number on Euro pallet	18 pieces
Back frame package (2x)	107 x 37 x 35cm
Weight	18.6 kg (23.1 kg E-BFR)
Synthetic material in packaging	0.3 kg
Cardboard in packaging	2.7 kg
Number on Euro pallet	30 pieces
Themepackage	100 x 58 x 41.5cm
Weight	28.5 kg
Synthetic material in packaging	0.5 kg
Cardboard in packaging	2.0 kg
Number on Euro pallet	12 pieces

\* This information is subject to change and may vary



